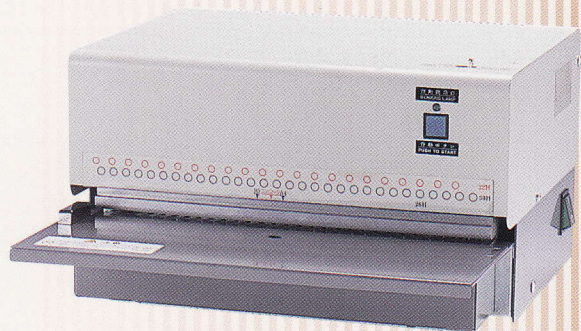
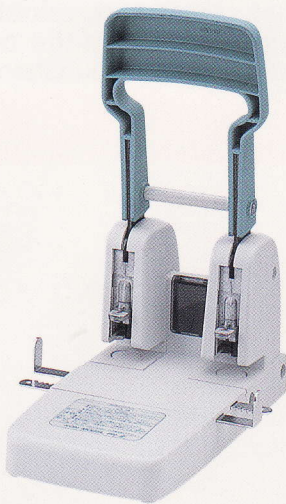




NEW KON Punches

***Durable,
Portable
Office Aids***



Smooth, Easily Handled Punches

NEW KON with over 85 years specialist hole-punching machine expertise and manufacturing know-how offers a full range of manual and electrically-operated 2-hole to 30-hole punches to fit most home and office needs.

NEW KON PUNCHES — 3 FAMILIES TO MEET S CRAFTED, STURDILY CONSTRUCTED, R

A Portable & Desktop 2-hole Units

KON Models PN-2 & PN-3

Two powerful, high capacity (100 & 200 sheets) manual punches using easily replaced, hollow tube blades for cleaner/crisper cut holes, outfitted with twin gauges for extra-fast paper positioning/centering.



KON Model 150R

An electrically driven, extra-high (500-sheet) capacity unit especially designed for heavy-duty business use and durability.

Primary features include:

- Entire punching action initiated by merely pushing the 'Start Button';
- Safety Clamp System conforming to Japan's Product Liability Law helps prevent erroneous operation;
- Safety design helps prevent fingers from being placed in the punching section; and,
- Clear, crisply cut, punched holes realized by the non-rotational hollow-punches.

Blade (2 per pack)

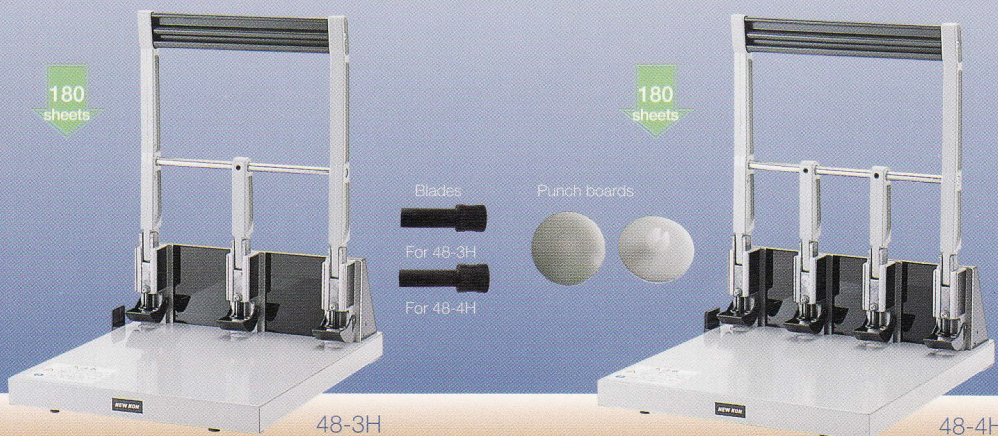


B Manual 3-/4-Hole & Manual/Electrical Multi-Hole Desktop Units

KON Models 48-3H & 48-4H

With a built-in safety guard, these manually operated units can easily punch 3 (48-3H) or 4 (48-4H) holes in a stack of up to 180 sheets of paper.

[Some parts made of recycled ABS plastic.]



KON Models 45 & 46

These manual units are designed for punching 30 (Model 45) (Model 46) holes (such as in continuous fanfold computer paper) in up to five sheets to be punched in multi-hole binders. Both models also have a handle down mechanism.

[Some parts made of recycled plastic.]



PRECISE FILING FORMATS — ALL PRECISION-REQUIRING MINIMAL PUNCHING EFFORT

C Special Order Business Units

KON Model 3200 (Special Order)

Made to order, this manually operated business unit can be manufactured to punch a single or multiple holes in extra-wide (max. distance between hole center to hole center — 530mm) paper or other materials (such as printer's-use master paper/ color separation film, aluminum master plate, or rather thick things to be filed in a 36-hole binder).

[Some parts made of recycled ABS plastic.]

Punch boards (10 per pack)

500 sheets

1~ sheets



KON Model 440

This electrically powered (three-phase 200V 50/60Hz), heavy-duty multiple-hole business punch offers unrivaled durability, and employs extra-sharp hollow tube blades for effortless single-stroke punching of 30 or 22-holes in up to 200 sheets of paper.

200 sheets



KON Models 320 & PN-1

These manual units, differing only in sheet capacity (320, 18 sheets & PN-1, 30 sheets), are designed for multi-hole punching, and have two optionally replaceable Punch Blocks — one which punches 22 holes, and the other that allows switching between 26 and 30 holes.

[Some parts made of recycled ABS plastic.]

igned
or 22
(con-
paper)
aced
mod-
lock-

KON Model PN-1E

This durable electrically driven, long-lasting version of the PN-1 (with the same optionally replaceable 22- or switchable 26-/30-hole Punch Blocks) allows for effortless punching of up to 30 sheets with the simple push of a button.

Punch block for 320

Punch block for PN-1

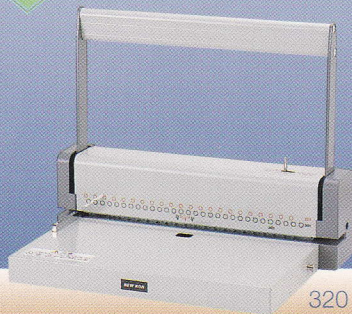
Punch blocks for PN-1E

18 sheets

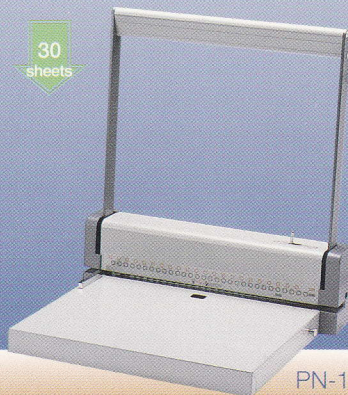
30 sheets

30 sheets

ABS



320

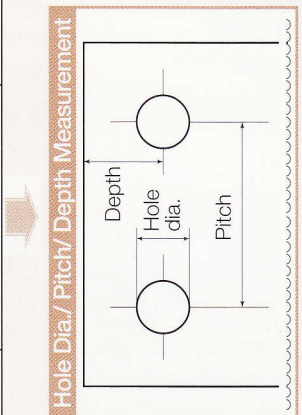


PN-1



Specifications of NEW KON Punches

Model	Drive Power	Hole Dia./ Pitch/ Depth (mm)	Capacity (sheets)	Outer Dimensions W x D x H* (mm)	Weight (kgs.)	Gauge	Supplies (optional)
A	PN-2 Manual M	6/ 80/ 12 6/ 80/ 7, 12 selectable	100 200	175 x 228 x 288 180 x 319 x 387	1.4 2.7	Sliding (double) Sliding (double)	Punches (x2)/ Punch boards (x10) Punches (x2)/ Punch boards (x10) • P-boards common to PN-2/-3
	PN-3 Electric 100V**, 50/60Hz	6/ 80/ 9~27 selectable	500	313 x 412 x 243	17	Sliding (A4/B5)	Punches (x2)/ Punch boards (x10)
	B	48-3H (3-hole) 48-4H (4-hole) M	7/ 108/ 13	180	277 x 337 x 373	4.1	Fixed (A4)
45 (30-hole) 46 (22-hole) M		6/ 80/ 13	180	300 x 337 x 373	4.6	Fixed (A4)	Punches (x1)/ Punch boards (x12) • P-boards common to 48-3H/-4H
320 (30/26-hole) 320 (22-hole) M		5.5/ 9.5/ 6.25	5	336 x 120 x 106	1.4	Fixed	None
		4.5/ 12.7/ 6.25	5	336 x 120 x 106	1.4	Fixed	None
PN-1 (30/26-hole) PN-1 (22-hole) M		5.5/ 9.5/ 6.25	18	364 x 235 x 290	5.1	Fixed (A4/B5)	Punch block
		4.5/ 12.7/ 6.25	18	364 x 235 x 290	5.1	Fixed (A4/B5)	Punch block • P-blocks (for 320-22 & -26/30) interchangeable
PN-1E (30/26-hole) PN-1E (22-hole) Elec 100V**, 50/60Hz	5.5/ 9.5/ 6.25	30	346 x 315 x 398	7.8	Fixed (A4/B5)	Punch block	
	4.5/ 12.7/ 6.25	30	346 x 315 x 398	7.8	Fixed (A4/B5)	Punch block • P-blocks (for PN-1-22 & -26/30) interchangeable	
C	3200*** 440 (30-hole) M	5.5/ 9.5/ 6.25	30	324 x 373 x 189	19	Fixed (A4/B5)	Punch block
	440 (22-hole) Elec, three-phase 200V 50/60Hz	4.5/ 12.7/ 6.25	30	324 x 373 x 189	19	Fixed (A4/B5)	Punch block • P-blocks (for PN-1E-22 & -26/30) interchangeable
		5.5/ 9.5/ 6.35	1~ 200	594 x 235 x 290 700 x 600 x 1073	Abt. 11 215	Fixed Fixed (A4/B5)	None Punches (x1)/ Punch boards (x1)



Notes:
 * H is unit height with handle fully extended in ready position.
 ** Other voltage available on request
 *** For special requirements (for 3200), contact us about desired specifications.

- ◆ For Models 320, PN-1 and PN-1E, unit variation for 15-/10-hole punching are also available.
(Hole diameter 5.5mm, pitch 19.0mm, depth 6.25mm for the 15-hole unit; 6.0mm, 25.9mm and 10mm for the 10-hole unit)
- ◆ Please contact us if you have requirements for other than those noted in this table.



Specifications and design may change without prior notice for ongoing mechanical/functional improvement.



Manufacturer of perforating/punching/embossing machines
NEW KON INDUSTRIAL CO., LTD.
 8-15, Chuo 1-chome, Edogawa-ku, Tokyo 132-0021, Japan
 Tel: 81-3-3655-6151~5 Fax: 81-3-3655-6201
 newkon@newkon.co.jp

Distributor